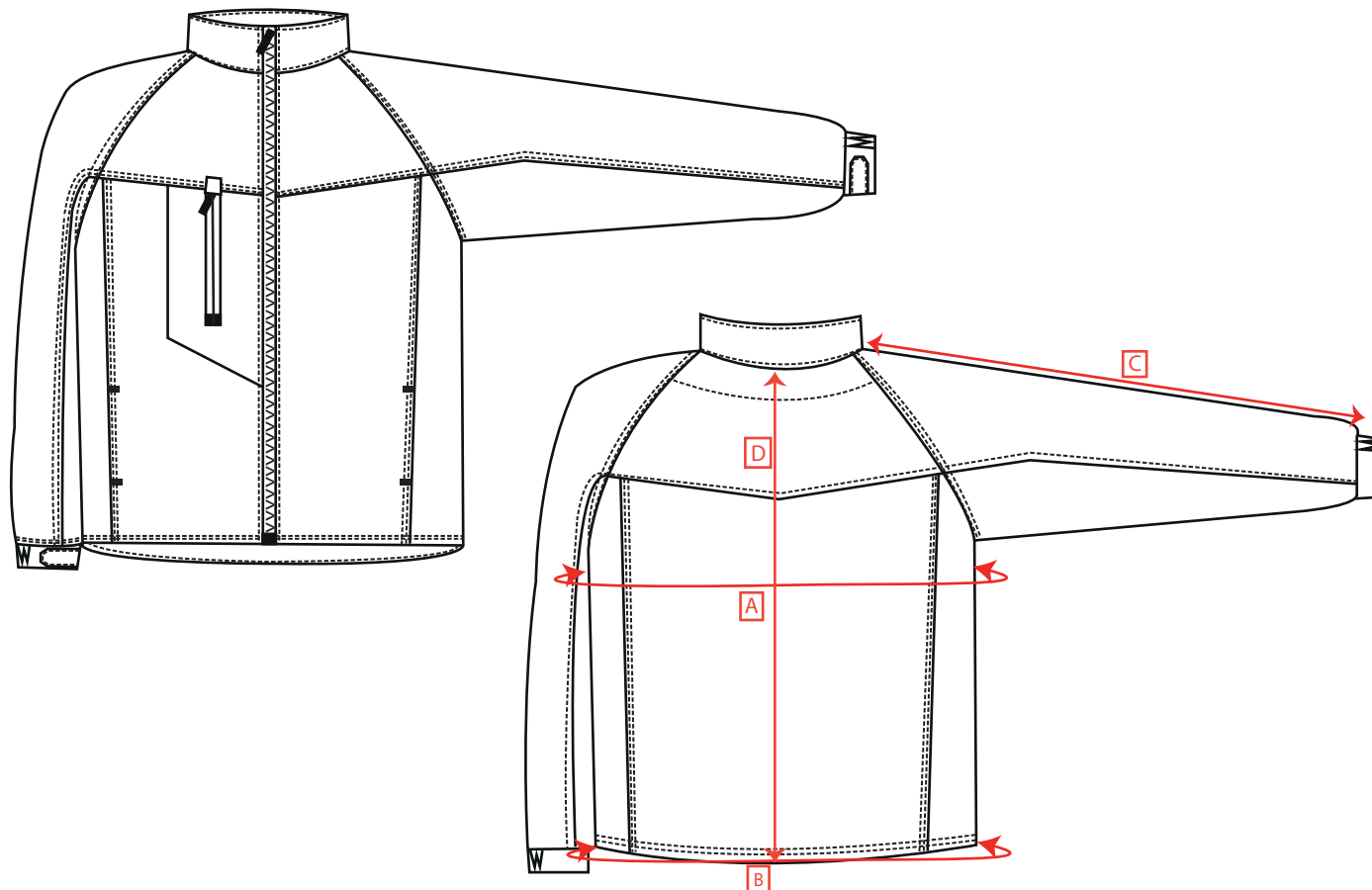


STYLE NO: TK40	DESCRIPTION: Oregon Softshell
----------------	-------------------------------



		Measurements							
		XS	S	M	L	XL	2XL	3XL	4XL
To Fit Chest	Code	80-88	92-96	100-104	108-112	116-124	128-132	136-140	144-148
Chest	A	106	114	122	130	138	146	154	162
Hem	B	102	110	118	126	134	142	150	158
Collar to Cuff	C	80	81	82	83	84	85	86	87
Nape to Hem	D	77	77	77	79	79	79	79	79