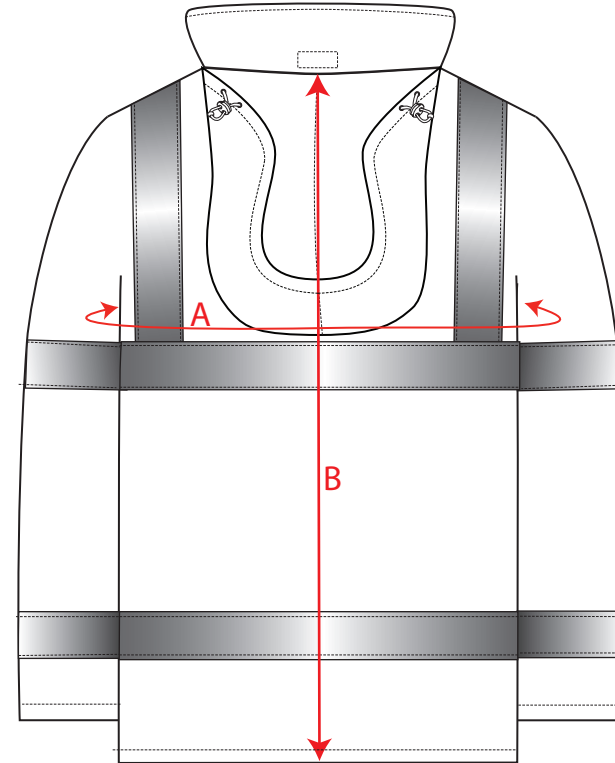
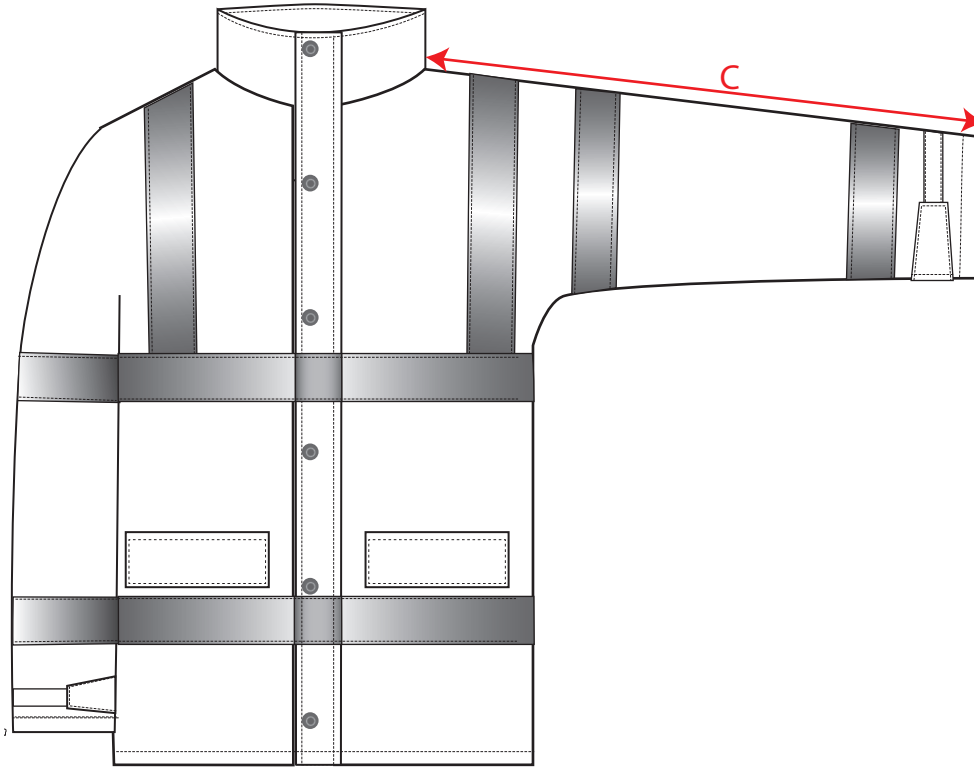


STYLE S460/  
NO: US460

DESCRIPTION: TRAFFIC JACKET - Quilt lined Jacket to EN ISO 20471 High Visibility Warning + En343 Protection against Rain + EN342 Protection Against Cold / ANSI/ISEA 107



## Measurements

		XXS	XS	S	M	L	XL	XXL	3XL	4XL	5XL	6XL	7XL	8XL	TOL	Audit Size	Actual Size
To Fit Chest		72-76	80-88	92-96	100-104	108-112	116-124	128-132	136-140	144-148	152-160	164-172	176-184	188-196			
Jacket Chest	A	102	110	118	126	134	142	150	158	166	174	186	198	210	1.5		
Centre Back to Hem	B	78.5	80.5	81.5	82.5	83.5	84.5	85.5	86.5	87.5	89	90.5	92	95	1		
Collar to Cuff	C	78.5	79.5	80.5	81.5	82.5	83.5	84.5	85.5	86.5	87.5	88.5	89.5	90.5	1		