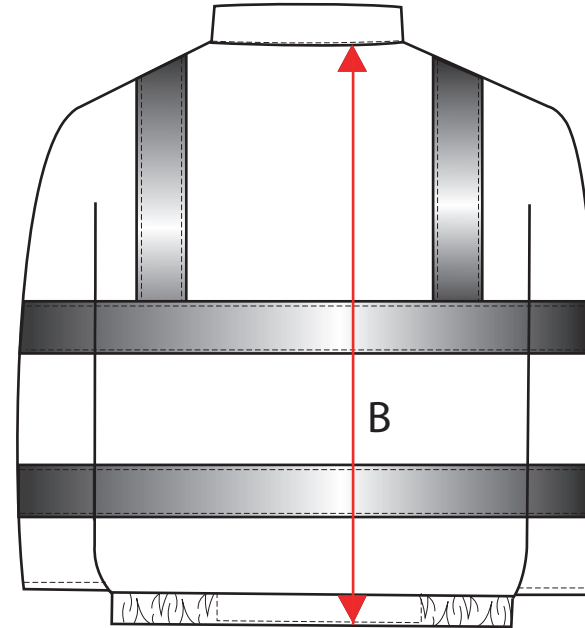
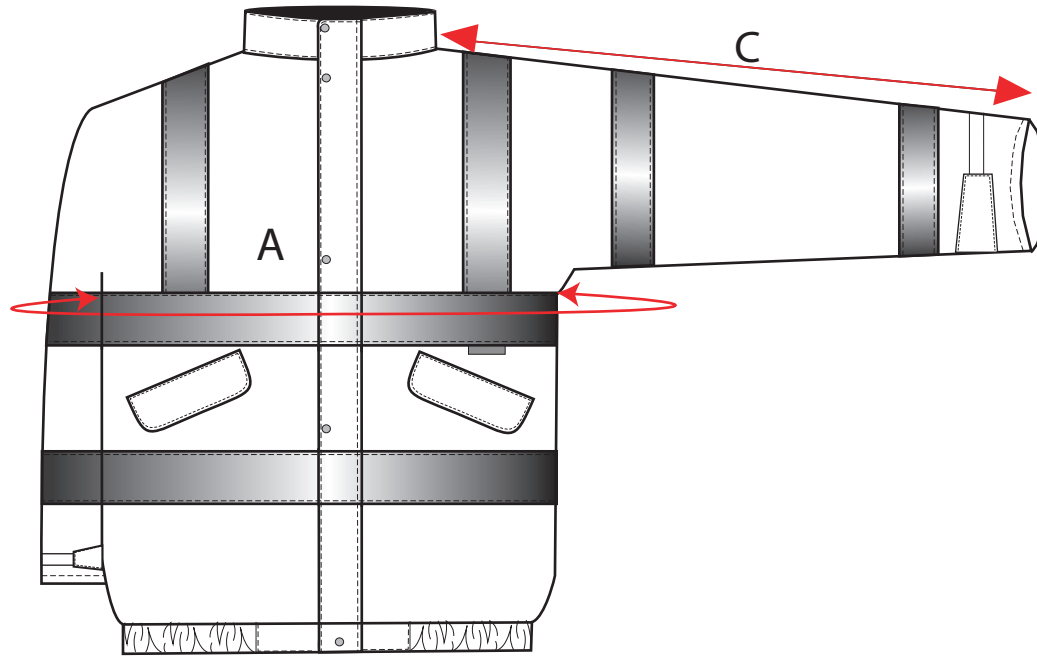


STYLE NO: S463 DESCRIPTION: Bomber Jacket to EN ISO 20471, EN343, EN342 and ANSI/ISEA 107



		XXS	XS	S	M	L	XL	XXL	3XL	4XL	5XL	6XL	7XL	8XL	TOL
To Fit Chest		72-76	80-88	92-96	100-104	108-112	116-124	128-132	136-140	144-148	152-160	164-172	176-184	188-196	
Jacket Chest	A	102	110	118	126	134	142	150	158	166	178	190	202	214	1.5
Nape to Hem	B	66	68	68	70	70	72	72	72	74	76	78	80	82	1
Collar to Cuff	C	80	81	82	83	84	85	86	87	88	89	90	91	92	1