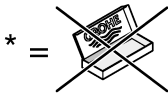
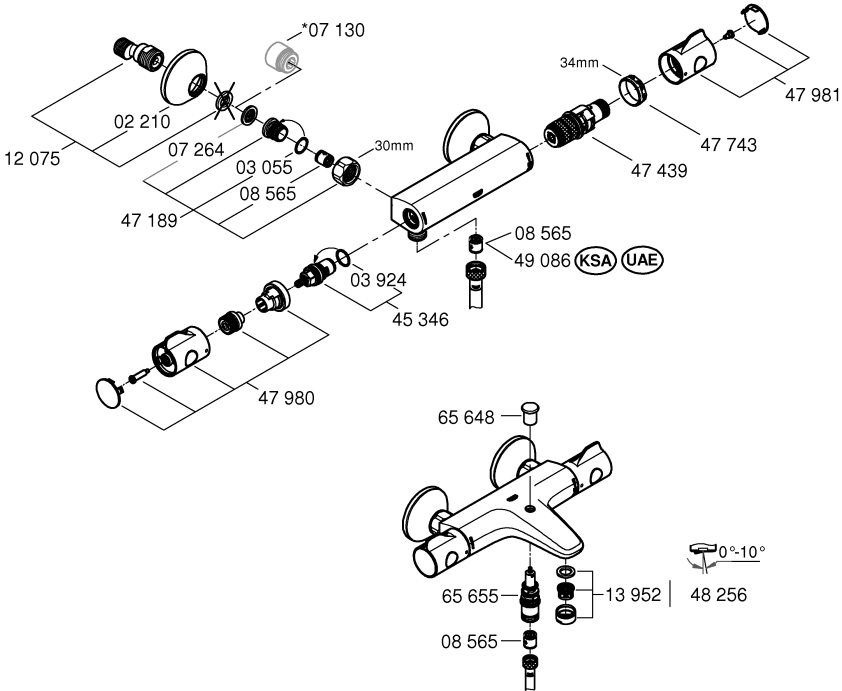




- (D) ...6
- (GB) ...6
- (F) ...8
- (E) ...9
- (I) ..10
- (NL) ..10
- (S) ..11
- (DK) ..12
- (N) ..13
- (FIN) ..13
- (PL) ..14
- (UAE) ..15
- (GR) ..16
- (CZ) ..17
- (H) ..17
- (P) ..18
- (TR) ..19
- (SK) ..20
- (SLO) ..20
- (HR) ..21
- (BG) ..22
- (EST) ..23
- (LV) ..24
- (LT) ..24
- (RO) ..25
- (CN) ..26
- (RUS) ..27






	47 439		*07 130		*47 175		+20
	*19 332		34mm		*19 377		30mm




DIN EN 806  
DIN EN 1717  
DIN 1988

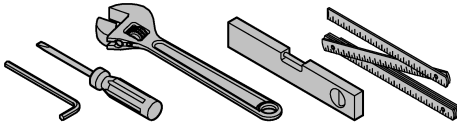
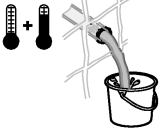


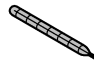


 **bar**

max. 10  
0,5  5   
1 

 **°C**

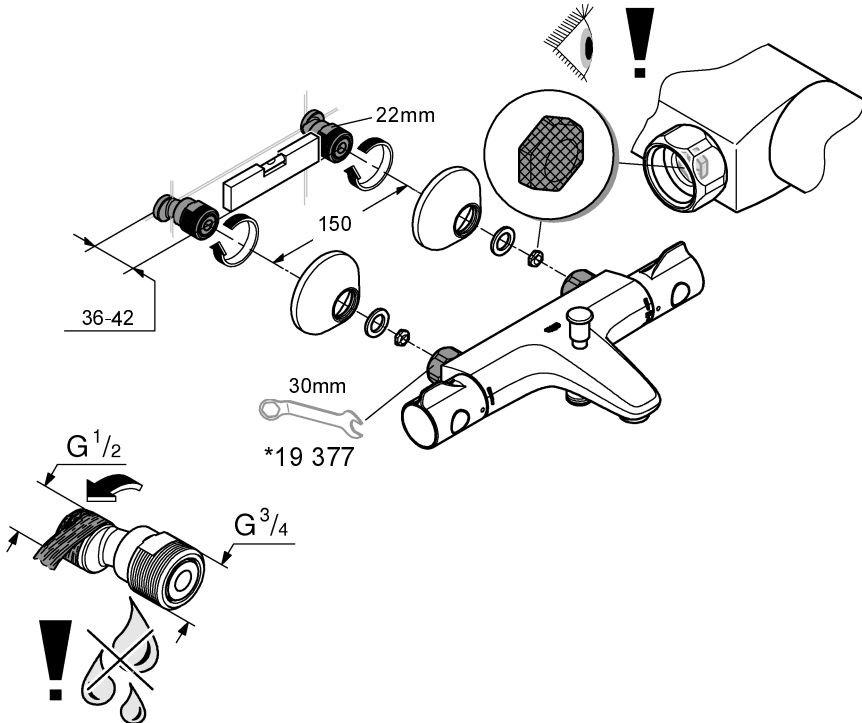
max. 70°  60° 



\*19 001   
\*19 377  34mm  
30mm  
\*19 332  34mm

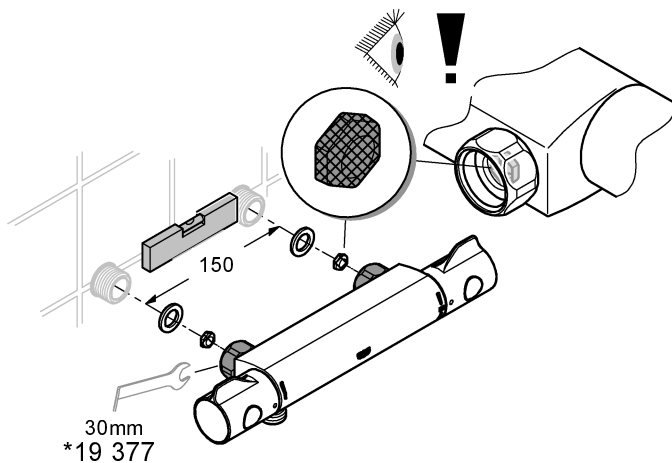


1a

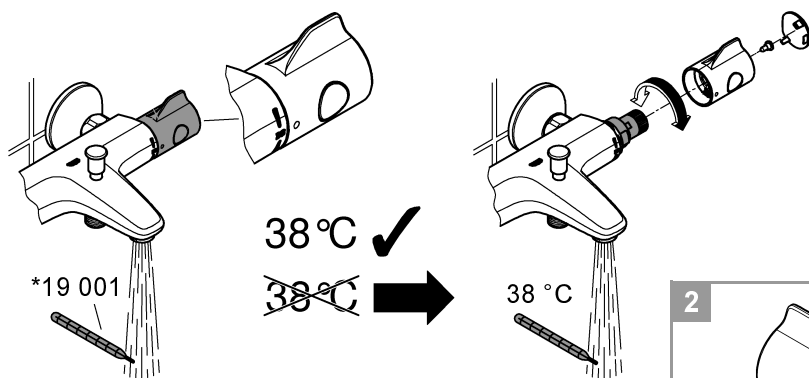




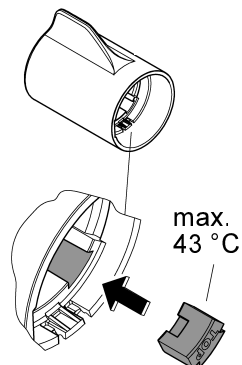
1b

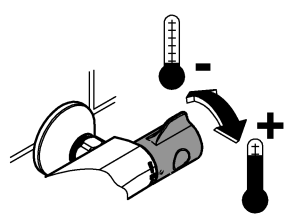
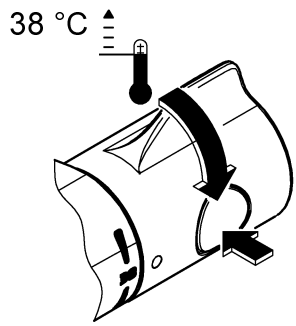
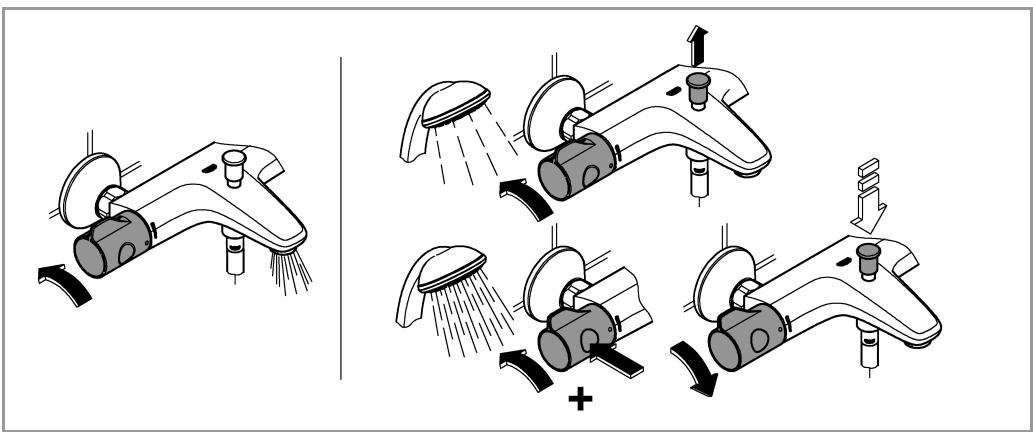
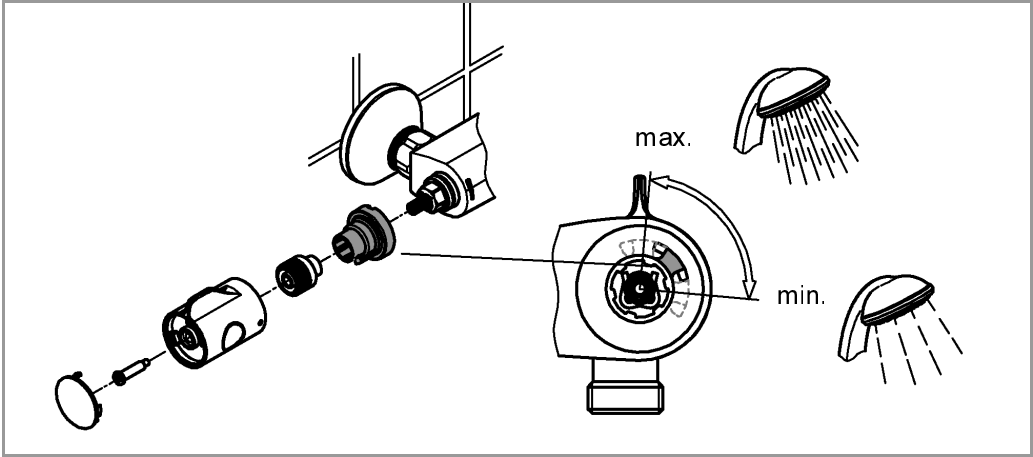


1



2







optional

