

UZ CLIP



Noggin Support



The UZ Clip is a multifunctional connector for supporting solid timber and I-Joist noggins.

Features & Benefits

- Suitable for supporting noggins in various applications
- Adjacent noggins can be aligned without clashing

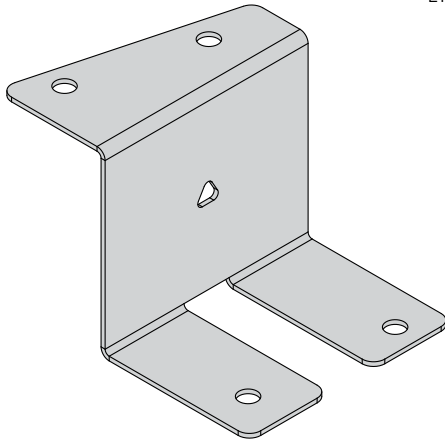
Material Specification

- Galvanised mild steel - Z275

Fixings

Code	Description	Box Qty
547389	3.4 x 35mm Square Twist Nails - LOOSE	500
141185	3.4 x 35mm Square Twist Nails - COLLATED*	2,500

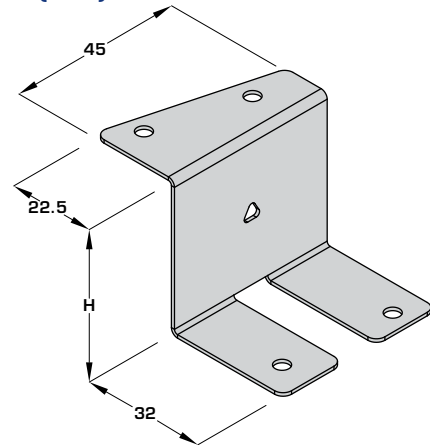
*For use with Paslode PPN35C



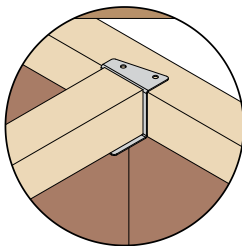
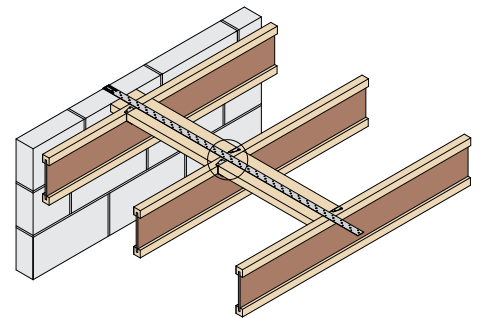
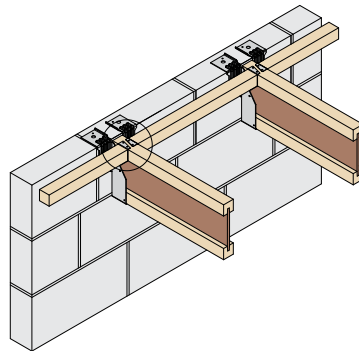
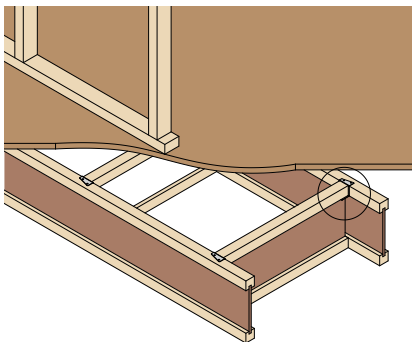
Available Sizes

Product Code	Height (H) (mm)
UZ-35	35
UZ-38	38
UZ-45	45
UZ-47	47

Dimensions (mm)

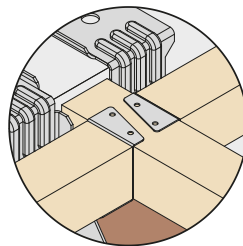


In Situ



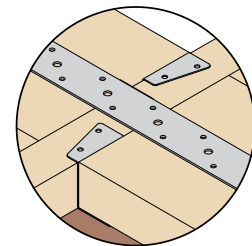
Partition Noggins

I-Joists / Open Webs Supporting Lightweight Partitions



Perimeter Noggins

Support for decking and plasterboard



Restraint Strap Noggins

Fixing for perpendicular restraint straps

Refer to manufacturer's guidelines and NHBC Standards for noggin requirements