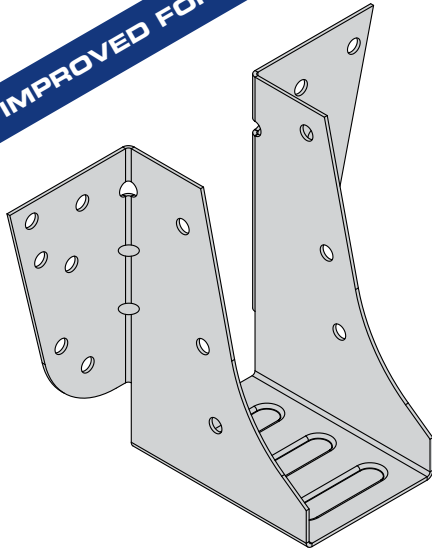


Midi Shoe

NEW & IMPROVED FOR 2017



The TM hanger is used to support trusses in lower load applications from bottom chord depths 97mm and above.

Features & Benefits

- New and improved design achieves higher load carrying capacities
- Additional side fixings allow for increased uplift capacity
- Rear location tab to assist with installation
- Economical solution for lower load applications

Material Specification

- Galvanised mild steel - Z275

Fixings

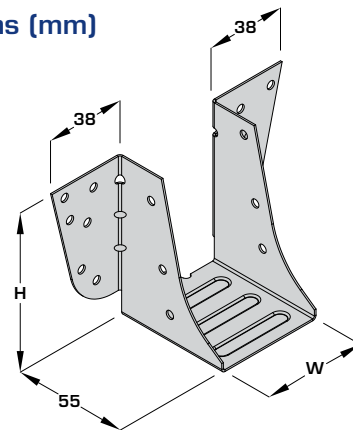
Code	Description	Box Qty
547389	3.4 x 35mm Square Twist Nails - LOOSE	500
141185	3.4 x 35mm Square Twist Nails - COLLATED*	2,500

*For use with Paslode PPN35Ci

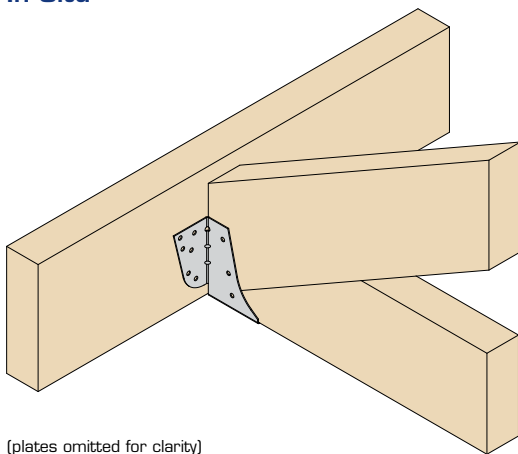
Available Sizes

Product Code	Hanger Width (W) (mm)	Hanger Depth (H) (mm)
TM-38	38	81
TM-44	44	78
TM-50	50	75

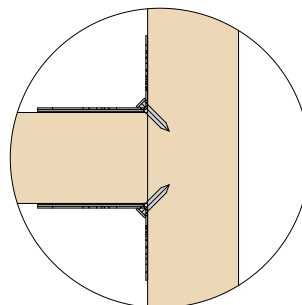
Dimensions (mm)



In Situ



(plates omitted for clarity)



New 45 degree skew nailing

(other nails omitted for clarity)

Load Data

Product Code	Fixings (3.4 x 35mm)			Safe Working Loads (kN)				Characteristic Capacity (kN)**	
	Header	Skew Nails	Incoming	Uplift - Short Term	Solid Timber Header (Min C16)			Uplift	Solid Timber Header (Min C16)
					Long Term	Medium Term	Short Term		
TM-38, TM-44, TM-50	12	2	6	2.00	5.40	5.40	5.50	3.32	9.54

**Values obtained from tests carried out by ITW Construction Products and calculated in accordance with ETAG 015.

Values apply to new design only. Please contact Technical Support for further information if required.