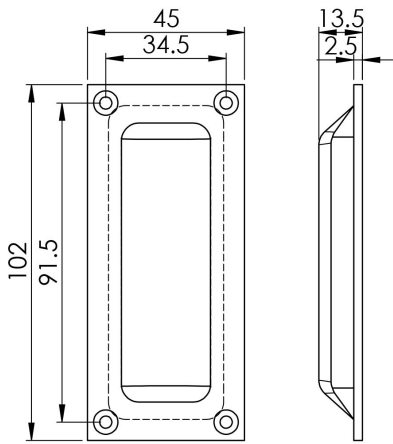
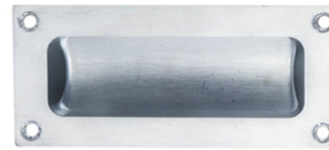


Flush Pull

AQ90 Range



A standard conventional flush pull for sliding doors. The flush pull is recessed into the doors enabling them to slide past each other without any obstruction. The concave recesses inside the handle allow ample room for a comfortable and firm grip. An ideal low profile flush pull.

