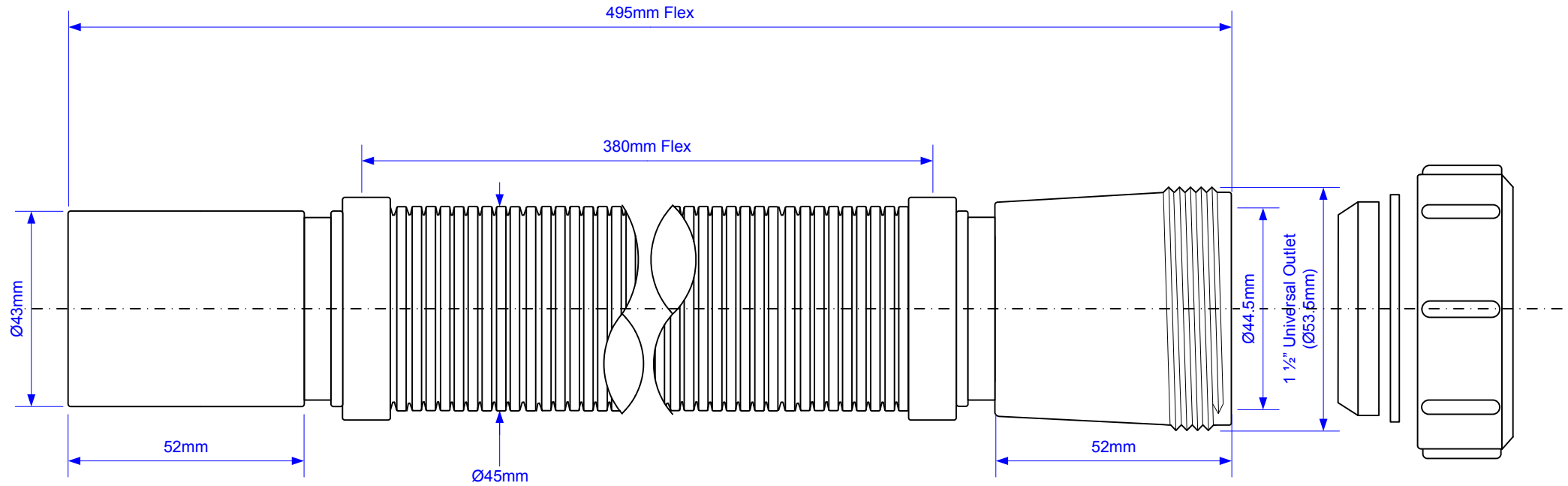


Code:

# FLEXCON2



Drawing verified correct as of:

18/08/2016  
RM

DRAWN BY

RM

REVISED

18/08/2016

FILENAME

FLEXCON2.VSD

DATE

18/08/2016

SCALE

1: 1.25