



Tudor

Tudor mono basin mixer with pop up waste

Product Code: TUD113

Finish: Chrome

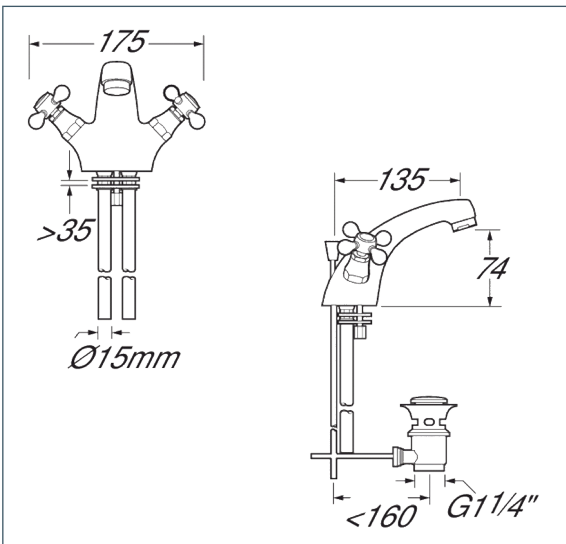
Features

- Construction: Brass & Resin
- Valve/Cartridge type: Washer Valves
- Supply: Suitable for all plumbing systems
- Working Pressures: 0.1 - 5.0 bar
- Inlet connections: 15mm Copper
- Flexi or Copper: Copper Tails

• Comes complete with a lever operated pop up waste



*Please refer to website for full warranty details.



Flow (Bar - l/min, open outlet)

Spout

Flow 0.1	Flow 0.3	Flow 0.5	Flow 1.0	Flow 2.0	Flow 3.0	Flow 4.0	Flow 5.0
4.3	7.8	9.6	13	18	24	28	32



1307014

