



DCM

Profile mono sink mixer

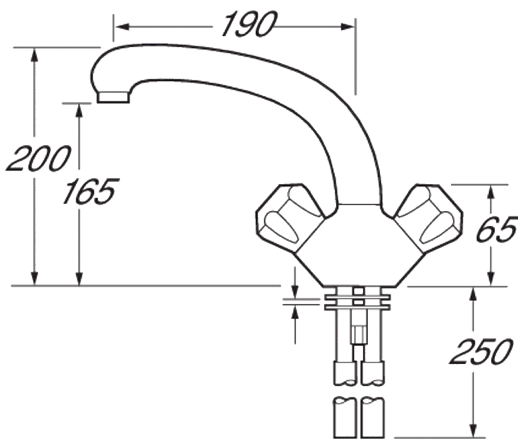
Product Code: DCM104

Finish: Chrome

Features

Construction:	Brass
Valve/Cartridge type:	Standard
Supply:	Suitable for all plumbing systems
Working Pressures:	0.1 - 5.0 bar
Inlet connections:	15mm Copper
Flexi or Copper:	Copper Tails

- Swivelling spout
- Dual flow



*Please refer to website for full warranty details.

Flow (Bar - l/min, open outlet)

Spout

Flow 0.1	Flow 0.3	Flow 0.5	Flow 1.0	Flow 2.0	Flow 3.0	Flow 4.0	Flow 5.0
5.5	8.4	11.4	14	17	20	28	32



2005348

12 YEAR GUARANTEE
ON ALL DEVA CHROME TAPS

*TERMS APPLY