



Profile

Profile sink taps

Product Code: DCM103

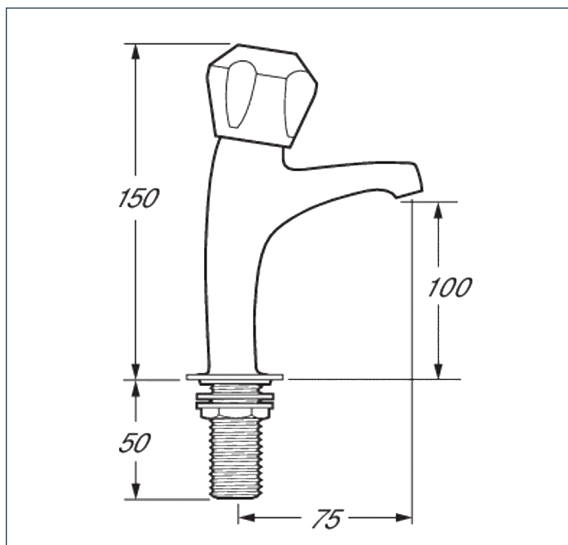
Finish: Chrome

Features

- Construction:** Brass
- Valve/Cartridge type:** Standard
- Supply:** Suitable For All Plumbing Systems
- Working Pressures:** 0.1 - 5.0 bar
- Inlet connections:** 1/2" BSP
- Flexi or Copper:** N/A



*Please refer to website for full warranty details.



Flow (Bar - l/min, open outlet)

Spout

Flow 0.1	Flow 0.3	Flow 0.5	Flow 1.0	Flow 2.0	Flow 3.0	Flow 4.0	Flow 5.0
5.29	8.63	11.69	17.07	24.47	30.12	34.85	39.06



2206374

