



PROFILE

Profile bath taps

Product Code: DCM102

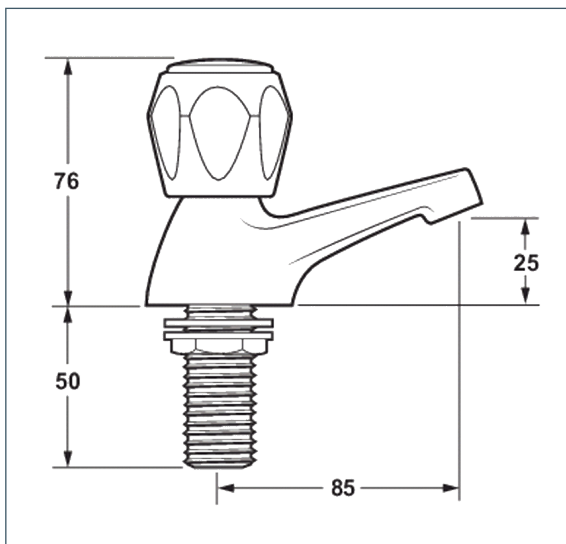
Finish: Chrome

Features

Construction:	Brass
Valve/Cartridge type:	Standard
Supply:	Suitable for all plumbing systems
Working Pressures:	0.1 - 5.0 bar
Inlet connections:	3/4" BSP
Flexi or Copper:	Plastic Backnuts



*Please refer to website for full warranty details.



Flow (Bar - l/min, open outlet)

Spout

Flow 0.1	Flow 0.3	Flow 0.5	Flow 1.0	Flow 2.0	Flow 3.0	Flow 4.0	Flow 5.0
7.7	13.5	17	18	20	25	30	34



2007727



2007336

**12 YEAR
GUARANTEE**

ON ALL DEVA
CHROME TAPS

*TERMS APPLY