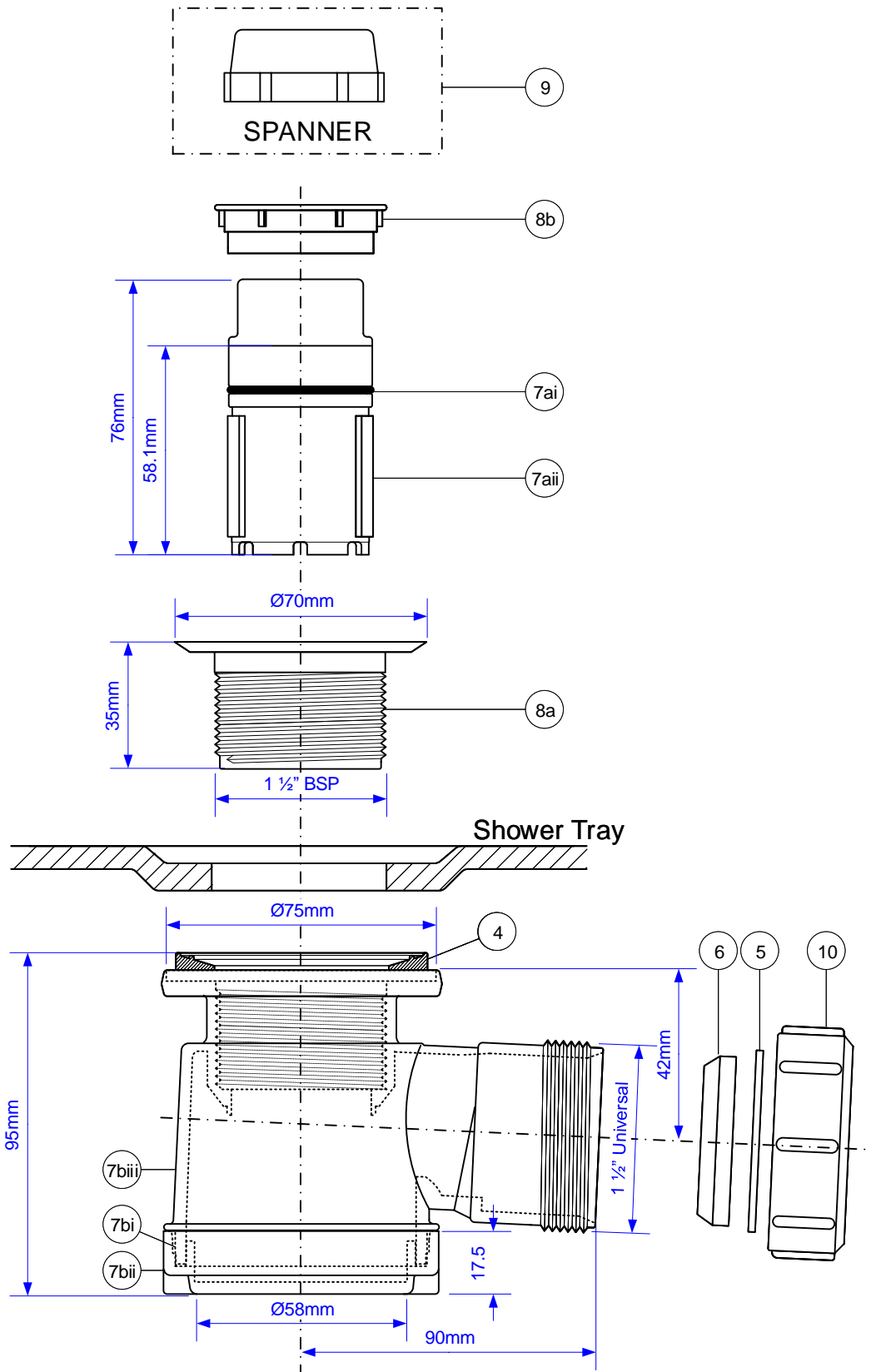


Code:

STW1-R



Water Seal: 19mm

© McALPINE
13/12/2009

Drawing verified
correct as of:

25/09/2018
RM

DRAWN BY

RM

SCALE

1: 1.75

REVISED

07/07/2004, 12/01/2015
18/03/2015, 25/09/2018

FILENAME

STW1-

R_20180925142022.VSD

DATE

25/09/2018